

MOUNTING INSTRUCTIONS

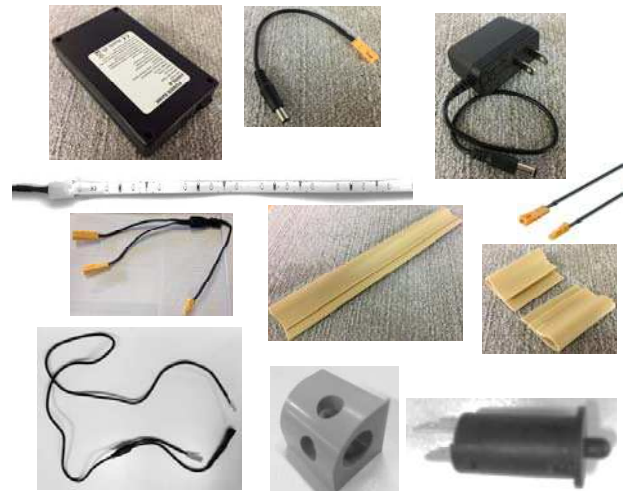
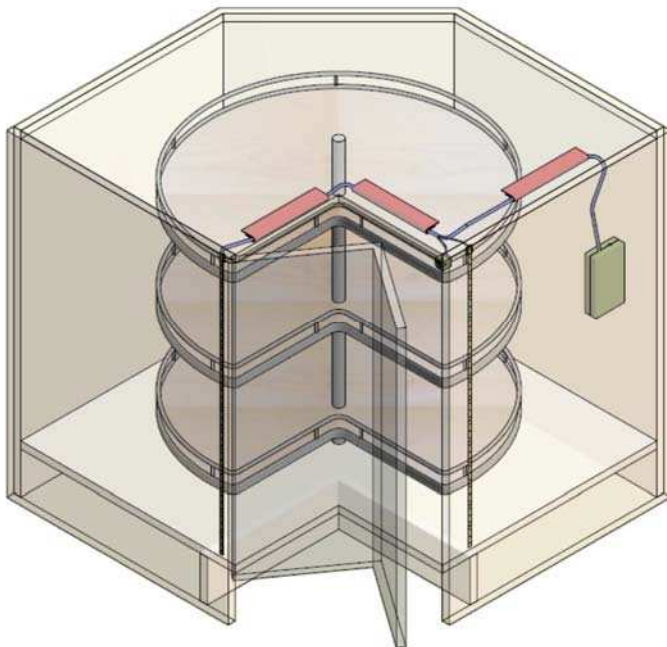
HÄFELE

LOOX® LED 2030 1-Door Battery Light Kit, 12 volt, 7.8 watt, 32 inch

Item #'s: 833.71.399, 833.71.400

- Use in dry locations only.
- Häfele LED lights are suitable for cabinet mounting and are suitable for use within Closet Storage Spaces.
- To reduce the risk of fire, electric shock or injury:
 - a) Use only wire management conduit, insulated staples or plastic ties to secure cables;
 - b) Route and secure cables so that they will not be pinched or damaged when the cabinet is pushed to the wall
 - c) The low voltage portable cabinet light may be installed on, inside or under a kitchen cabinet or other built-in furniture. Do not route wires through walls, floors or ceilings.
 - d) Do not connect lights or switch directly to 120V AC power.
 - e) If the external flexible cable of this light is damaged, it should be replaced by the manufacturer or a similar qualified person.

The National Electrical Code (NEC) does not permit cables to be concealed where damages to insulation may go unnoticed. To prevent



LOOX® LED 2030 1 Door Battery Light Kit supplied with:

- 2 pcs. 32" LED Flexible Silicone Strip Lights
- 2 pcs. 50mm Connection Cables for Silicone Strip Light
- 1 pc. Door Switch Cable
- 1 pc. Extension Cable
- 1 pc. 1-2 Splitter Cable
- 1 pc. Modular Door Switch
- 1 pc. Switch Housing
- 3 pcs. 10", 2 pcs. 2" Cable Management Channels
- 1 pc. Battery
- 1 pc. Wall Plug Charger
- 1 pc. Battery Adapter Cord

www.hafele.com

©2016 Häfele America Co.



3/6/2017

Subject to changes

MOUNTING INSTRUCTIONS

HÄFELE

LOOX® LED 2030 1-Door Battery Light Kit, 12 volt, 7.8 watt, 32 inch

Item #'s: 833.71.399, 833.71.400

Step 1

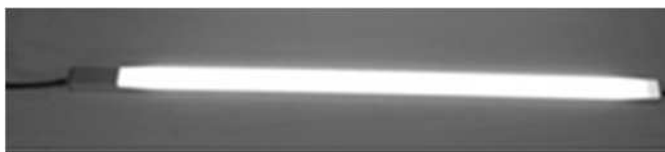
- Attach Switch Housing



Place and secure Switch Housing to the top outside corner of the cabinet flush with the face frame.

Step 2

- Test lights prior to installation.
- Plug one light strip into the adapter cable and plug adapter cable into battery. Ensure battery is powered on.
- Repeat step 2 for second strip light.



Step 3

- Attach Silicone Strips to cabinet face frame



- ◆ Trim Strips to fit Cabinet Height. Light strips can be shortened every 2". Cut at symbols.
- ◆ Clean inside of face frame with alcohol swab or cloth.
- ◆ Peel protective cover off back and attach silicone strips to inside of face frame



MOUNTING INSTRUCTIONS

LOOX® LED 2030 1-Door Battery Light Kit, 12 volt, 7.8 watt, 32 inch

Item #'s: 833.71.399, 833.71.400

HÄFELE

Step 4

- Attach Door Switch and Cables
- See last page for wiring layout and connections.



- ◆ Feed switch connector through back of the switch housing.
- ◆ Plug quick connectors into modular switch blades and push into the switch mount.
- ◆ Attach male plug from #1 Silicone strip cable connector into Extension Cable female plug, Extension cable male plug and into 1-2 Splitter Cable female plug.
- ◆ Plug male plug from #2 Silicone strip cable connector into the other 1-2 Splitter Cable female plug, Splitter Cable male plug into Switch cable female plug.

Step 5

- Wire Management and testing.

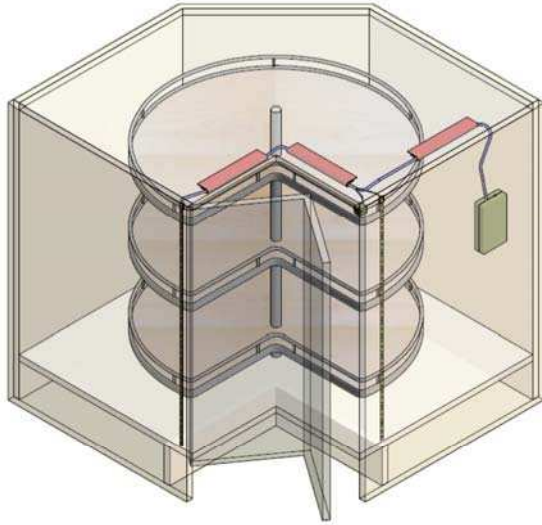


- ◆ Attach cable management channels to top of cabinets (refer to page 4 for example of wire management locations).
- ◆ Insert cables inside channels and rout to Battery location.
- ◆ Insert male plug from switch cable into Adapter Cable female plug. Insert adapter cable barrel connector into Battery.
- ◆ Turn Battery on. Red LED will illuminate
- ◆ Test lights for Proper operation. Lights should turn on when door is open and turn off when door is closed.

MOUNTING INSTRUCTIONS

LOOX® LED 2030 1-Door Battery Light Kit, 12 volt, 7.8 watt, 32 inch

Item #'s: 833.71.399, 833.71.400



Step 6

- Final Installation
 - Battery Placement
 - Use the two 2" mount clips to hang the battery. Attach one to the battery oriented down and one to the cabinet wall oriented up.

CORNER CABINET LOOX WIRINGS ISOMETRIC ASSEMBLY

