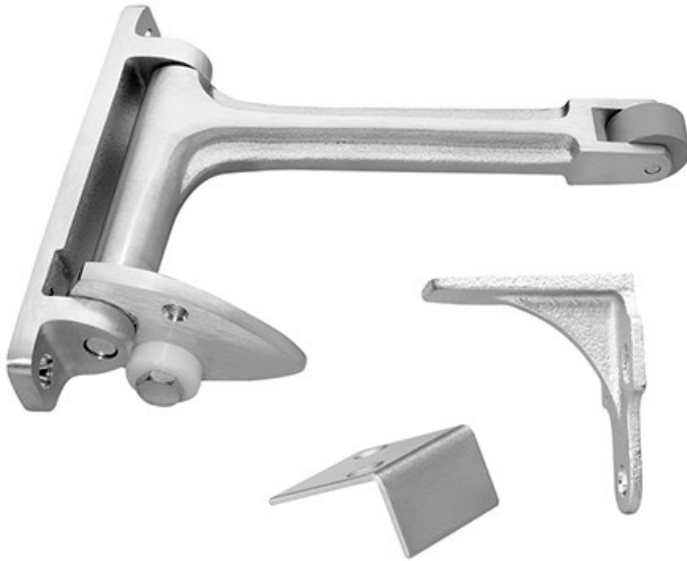


# Architectural Door Accessories

**ASSA ABLOY**

The global leader in  
door opening solutions

## Rockwood 576 - Gravity Door Coordinator



### Available Finishes:

- US3/605
- US4/606
- US10/612
- US10B/613
- US10BE/613E
- US26/625
- US26D/626

### SIZE:

1" x 5 7/16"

Projection: 7"

### WEIGHT:

2.2 lbs.

### ANSI A156.3:

Type 21

## Specifications:

### MATERIAL:

Cast Brass

### FASTENERS:

Body: 2 ea. #10 x 1" Flat Head Sheet Metal Screws, 2 ea. #10-24 x 1" Flat Head Machine Screws

Strike: 5 ea. #8 x 1" Flat Head Sheet Metal Screws

### FEATURES:

- Non-handed reversible. Prevents the active door from closing until the inactive door is closed.

### OTHER:

For use on door sizes:

1. with Astragal on active door - 18" to 48"
2. with Astragal on inactive door - 18" to 34"
3. with Astragal on both doors - 18" to 30"

\*The overlap of the astragal is maximum 7/8" with door hung on standard hinges. Customer must contact the factory for all other astragal situations.



300 Main Street  
Rockwood, Pennsylvania 15557  
P: 800.458.2424 • F: 800.922.9212  
www.rockwoodmfg.com • orders.rockwood@assaabloy.com

Copyright © 2017, Rockwood Manufacturing Company, an ASSA ABLOY Group company. All rights reserved. Reproduction in whole or in part without the express written permission of Rockwood Manufacturing Company is prohibited.

CS-576 1/17