

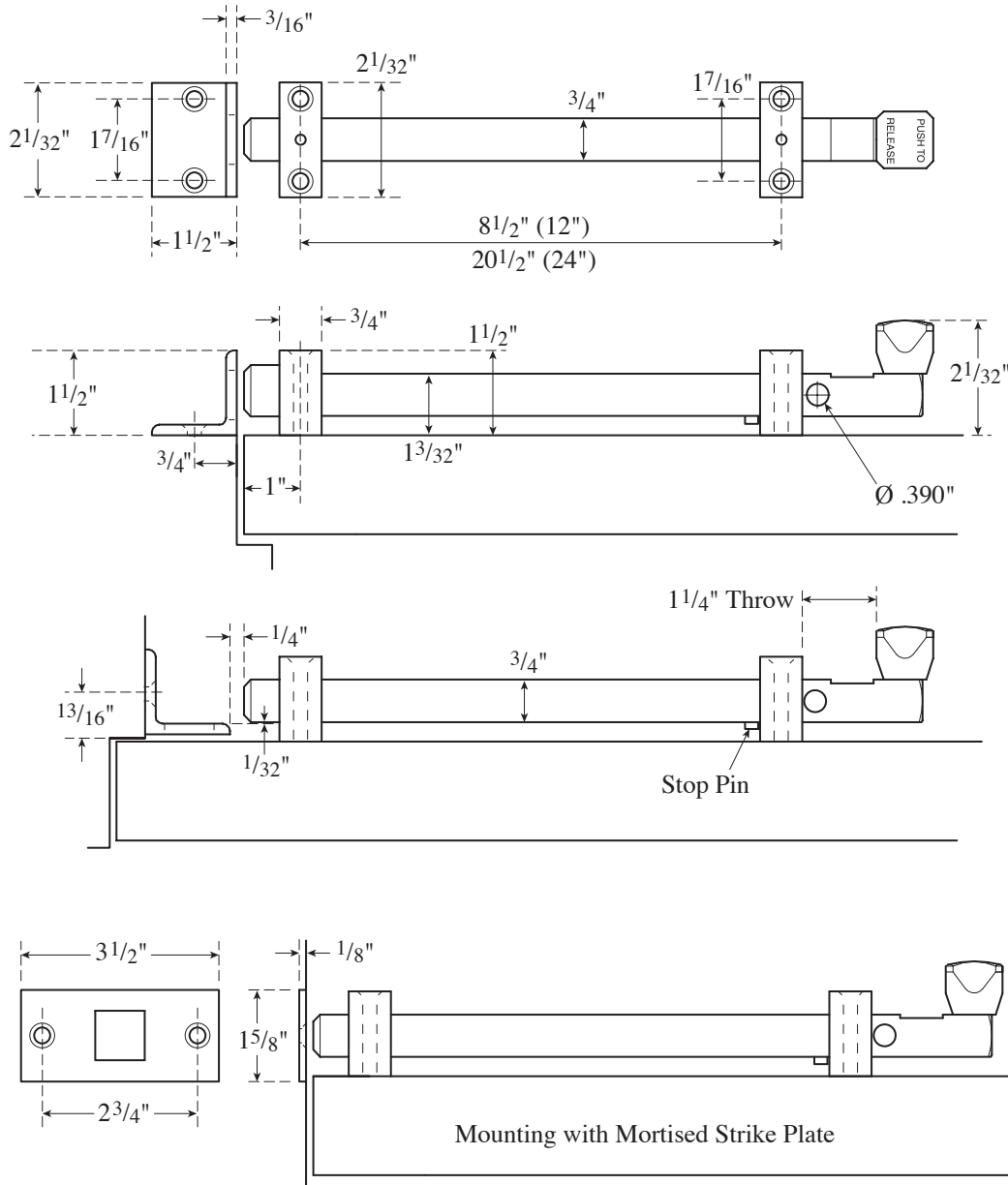
# Architectural Door Accessories

**ASSA ABLOY**

## Rockwood 585 Series Surface Bolts

The global leader in  
door opening solutions

NOT TO SCALE



**FASTENERS NOTE:**

- (four) 1/4"-20 x 2 1/4" Flat Head Machine Screws
- (four) 1/4"-20 x 1 5/8" Sex Bolts
- (two) #14 x 2 1/2" with Plastic Anchor
- (two) 1/4"-20 x 1" Flat Head Machine Screws with Lead Anchor

## Template T-585

**Effective date:** January 1, 2017  
**Supersedes:** All Previous

NOTE: ASSA ABLOY reserves the right to make product changes and is not responsible for obsolete template errors. To ensure your template is current, please visit our website at [www.rockwoodmfg.com](http://www.rockwoodmfg.com) or call us at 800-458-2424